

Part number

# CHVT 24.5 L



## Brief description:

hoods for single lever, size "104.27", top entry, 3/4" NPT, metal version, IP66

### Product description

Version	metal version
Series	hoods for single lever
Product type	with 2 pegs
Variant	top entry
Family	CLASS enclosures
Size	size "104.27"

### Technical data

Material	metal
IP degree of protection	IP66 (and IP69K DIN 40050 - 9)
Cable entry	3/4" NPT

### Further technical details

Weight	194,00 g
--------	----------

### Approvals / Standards

Quality mark	 (type:4/4X/12),  , EAC
Conformity	CQC, CE

### General ordering information

EAN13 code	8015747025706
Tariff number	85369095

### Packaging Information

Packaging length	160,00 mm
Packaging height	180,00 mm
Packaging width	270,00 mm
Packaging weight	1,94 kg
Packaging volume	4,10 dm <sup>3</sup>
Packaging description	Carton box
Packaging quantity	10 Pcs
Packaging EAN code	8015747025713
Sub-packaging weight	0,97 kg
Sub-packaging description	Plastic packaging
Sub-packaging quantity	5 Pcs
Sub-packaging EAN barcode	8015747025720

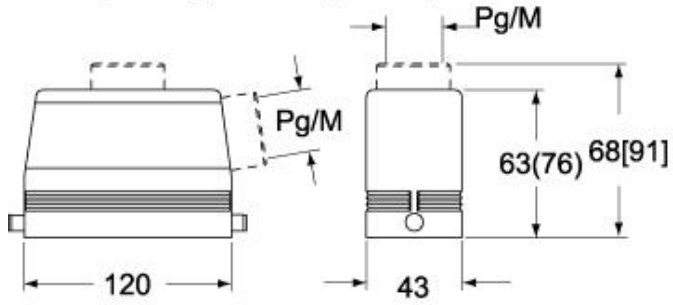
Part number

# CHVT 24.5 L



Catalogue drawings

**CHO L (CAO L) - MHO L [MAO L]**  
**CHV L [CAV L] - MHV L (MAV L)**



**CHV LG (CAV LG), MHV LG (MAV LG) [MFV LG]**

